

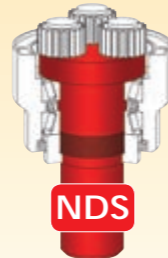
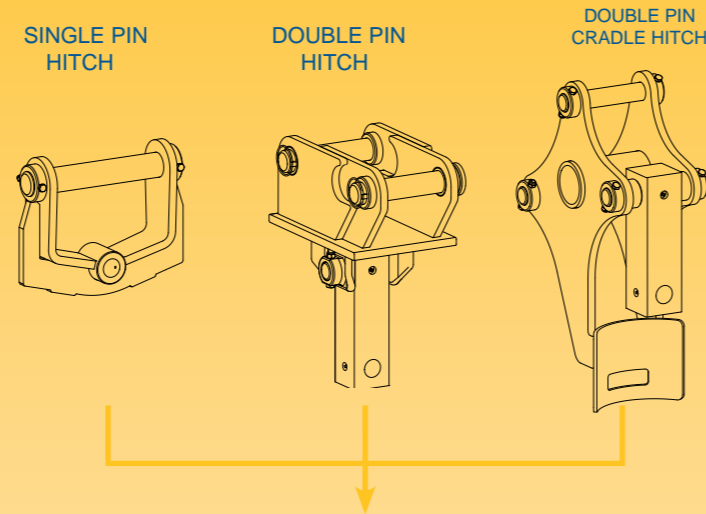


Backhoes



Backhoes

Earth Drill Model	10000	12000	15000
Part Number	21 - 40100	21 - 40200	21-40600
Excavator Machine	Backhoe	Backhoe	Backhoe
Torque	9789 Nm	12081 Nm	15179 Nm
Pressure	240 Bar	240 Bar	240 Bar
Oil Flow Range	70 to 150 l/m	70 to 150 l/m	80 to 150 l/m
Hydraulic Hoses	3/4" BSP	3/4" BSP	3/4" BSP
Output Shaft (STD)	75mm Sq	75mm Sq	75mm Sq
Output Shaft (Optional)	70mm Hex	70mm Hex	70mm Hex
Unit Weight	152kg	162kg	162kg
Unit Height	930mm	930mm	930mm
Unit Diameter	290mm	290mm	290mm
Auger Series	S6	S6	S6
Length	1.6M	1.6M	1.6M
Auger Diameter Range	150-900mm	150mm-1.2M	150mm-1.2M



UNIQUE FEATURE
Non Dislodgement Shaft

Backhoe
Drilling Diameter
150 to 900mm

**10000
Earth Drill**

Backhoe
Drilling Diameter
150mm to 1.2M

**12000
Earth Drill**

Backhoe
Drilling Diameter
150mm to 1.2M

**15000
Earth Drill**



Mounting Hitch Options

Pin Size	Single Pin Part Number	Double Pin Part Number	Double Pin Cradle Part Number
1.75"	11-454400	12-454400	13-454400
45mm	11-454500	12-454500	13-454500
50mm	11-455000	12-455000	13-455000
55mm	11-455500	12-455500	13-455500
60mm	11-456000	12-456000	13-456000

S6 Extension Shafts - 75mm Square Drive

Length	1.5M Part Number	2M Part Number	3M Part Number
	31-6150600	31-6200600	31-6300600

S5 / S6 Earth Tooth
Part Number 33-9105

S5 / S6 Earth Pilot
Part Number 33-9205

S5 / S6 Rock Tooth
Part Number 33-9107

S5 / S6 150mm Rock Pilot
Part Number 33-9210

S5 / S6 Tungsten Tooth
Part Number 33-9106

S5 / S6 Tungsten Pilot
Part Number 33-9206

S5 / S6 Rock Pilot
Part Number 33-9207

S6 Auger Range - 75mm Square Drive (Length 1.6M) for 10000 - 12000 - 15000 Earth Drills

Earth and Clay Drilling (Complete with Earth Teeth and Earth Pilot)

Dia	150mm	200mm	225mm	250mm	300mm	350mm	400mm	450mm	500mm	600mm	750mm	800mm	900mm	1M	1.2M
P/N	30-60151600	30-60201600	30-60231600	30-60251600	30-60301600	30-60351600	30-60401600	30-60451600	30-60501600	30-60601600	30-60751600	30-60801600	30-60901600	30-61001600	30-61201600

Abrasive Drilling (Complete with Tungsten Teeth and Tungsten Pilot)

Dia	150mm	200mm	225mm	250mm	300mm	350mm	400mm	450mm	500mm	600mm	750mm	800mm	900mm	1M	1.2M
P/N	N/A	30-60205600	30-60235600	30-60255600	30-60305600	30-60355600	30-60405600	30-60455600	30-60505600	30-60605600	30-60755600	30-60805600	30-60905600	30-61005600	30-61205600

Soft Rock / Abrasive Drilling (Complete with Rock Teeth and Rock Pilot)

Dia	150mm	200mm	225mm	250mm	300mm	350mm	400mm	450mm	500mm	600mm	750mm	800mm	900mm	1M	1.2M
P/N	30-60156600	30-60206600	30-60236600	30-60256600	30-60306600	30-60356600	30-60406600	30-60456600	30-60506600	30-60606600	30-60756600	30-60806600	30-60906600	30-61006600	30-61206600