



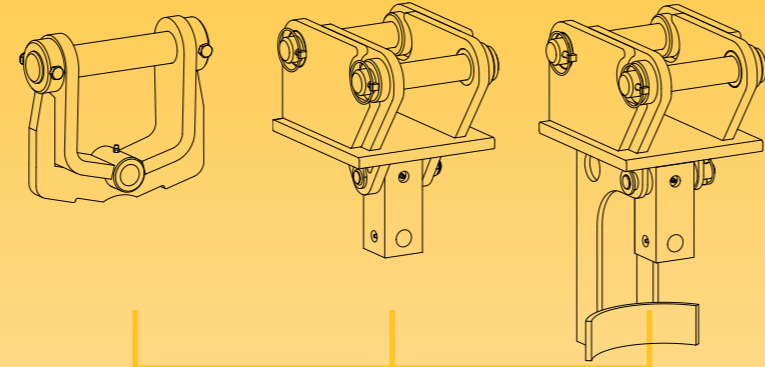
## Excavators 4.5T to 8T and Backhoes



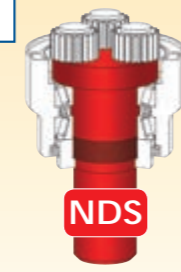
# Excavators 4.5T to 8T and Backhoes

Earth Drill Models	5000	5000 MAX	7000	7000 MAX
Part Number	21-31100	21-30200	21-31200	21-30400
Excavator Machine Weight	4.5T to 7T	4.5 to 7T	5T to 8T	5T to 8T
Backhoe			Backhoe	Backhoe
Torque	4939 Nm	5667 Nm	7170 Nm	7170 Nm
Pressure	205 Bar	240 Bar	240 Bar	240 Bar
Oil Flow Range	40 to 75 l/m	50 to 114 l/m	50 to 114 l/m	60 to 135 l/m
Hydraulic Hoses	1/2" BSP	1/2" BSP	1/2" BSP	3/4" BSP
Output Shaft (STD)	57mm Sq	57mm Sq	57mm Sq	57mm Sq
Output Shaft (Optional)	2" Hex	2" Hex	2" Hex	2" Hex
Unit Weight	83kg	83kg	95kg	97kg
Unit Height	700mm	700mm	700mm	700mm
Unit Diameter	245mm	245mm	270mm	270mm
Auger Series	S5	S5	S5	S5
Length (Europe)	1.2M	1.2M	1.2M	1.2M
Auger Diameter Range	150-750mm	150-750mm	150-900mm	150-900mm

SINGLE PIN HITCH      DOUBLE PIN HITCH      DOUBLE PIN CRADLE HITCH



7000 MAX



UNIQUE FEATURE  
Non Dislodgement Shaft

Excavator 4.5T to 7T  
Drilling Diameter  
150 to 750mm

## 5000 Earth Drill

Excavator 4.5T to 7T  
Drilling Diameter  
150 to 750mm

## 5000 MAX Earth Drill

Excavator /Backhoe 5T to 8T  
Drilling Diameter  
150 to 900mm

## 7000 Earth Drill

Backhoe 5T to 8T  
Drilling Diameter  
150 to 900mm

## 7000 MAX Earth Drill



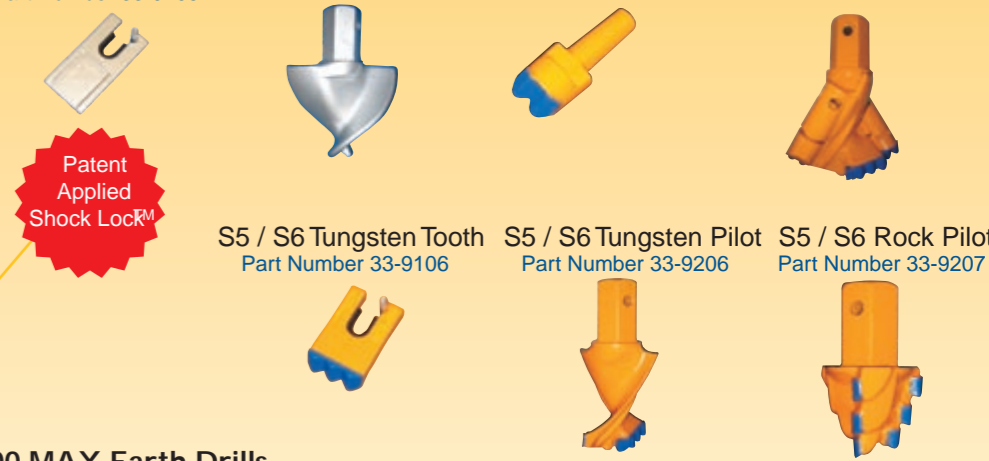
### Mounting Hitch Options

Pin Size	Single Pin Part Number	Double Pin Part Number	Double Pin Cradle Part Number
40mm	11-304000-5/7	12-304000-5/7	13-304000-5/7
1.75"	11-304400	12-304400	13-304400
45mm	11-304500	12-304500	13-304500
50mm	11-305000	12-305000	13-305000

### S5 Extension Shafts - 57mm Square Drive

Length	1M	1.5M	2M
Part Number	31-5100500	31-5150500	31-5200500

S5 / S6 Earth Tooth Part Number 33-9105      S5 / S6 Earth Pilot Part Number 33-9205      S5 / S6 Rock Tooth Part Number 33-9107      S5 / S6 150mm Rock Pilot Part Number 33-9210



S5 / S6 Tungsten Tooth Part Number 33-9106      S5 / S6 Tungsten Pilot Part Number 33-9206      S5 / S6 Rock Pilot Part Number 33-9207

S5 Auger Range - 57mm Square Drive (Length 1.2M) for 5000 - 5000 MAX - 7000 - 7000 MAX Earth Drills

Earth and Clay Drilling (Complete with Earth Teeth and Earth Pilot)

Diameter	150mm	200mm	225mm	250mm	300mm	350mm	400mm	450mm	500mm	600mm	750mm	800mm	900mm
Part Number	30-50151500	30-50201500	30-50231500	30-50251500	30-50301500	30-50351500	30-50401500	30-50451500	30-50501500	30-50601500	30-50751500	30-50801500	30-50901500

Abrasive Drilling (Complete with Tungsten Teeth and Tungsten Pilot)

Diameter	150mm	200mm	225mm	250mm	300mm	350mm	400mm	450mm	500mm	600mm	750mm	800mm	900mm
Part Number	N/A	30-50205500	30-50235500	30-50255500	30-50305500	30-50355500	30-50405500	30-50455500	30-50505500	30-50605500	30-50755500	30-50805500	30-50905500

Soft Rock / Abrasive Drilling (Complete with Rock Teeth and Rock Pilot)

Diameter	150mm	200mm	225mm	250mm	300mm	350mm	400mm	450mm	500mm	600mm	750mm	800mm	900mm
Part Number	30-50156500	30-50206500	30-50236500	30-50256500	30-50306500	30-50356500	30-50406500	30-50456500	30-50506500	30-50606500	30-50756500	30-50806500	30-50906500